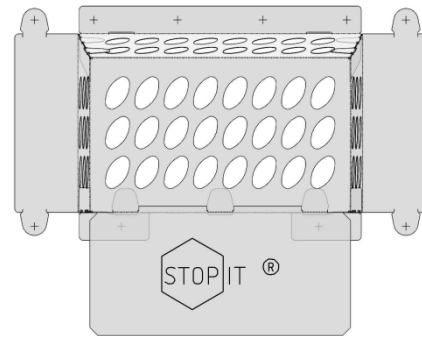
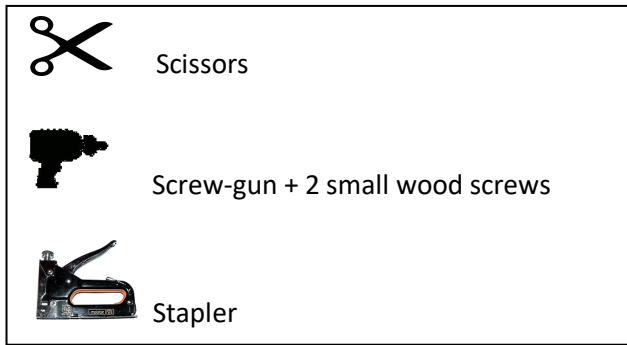


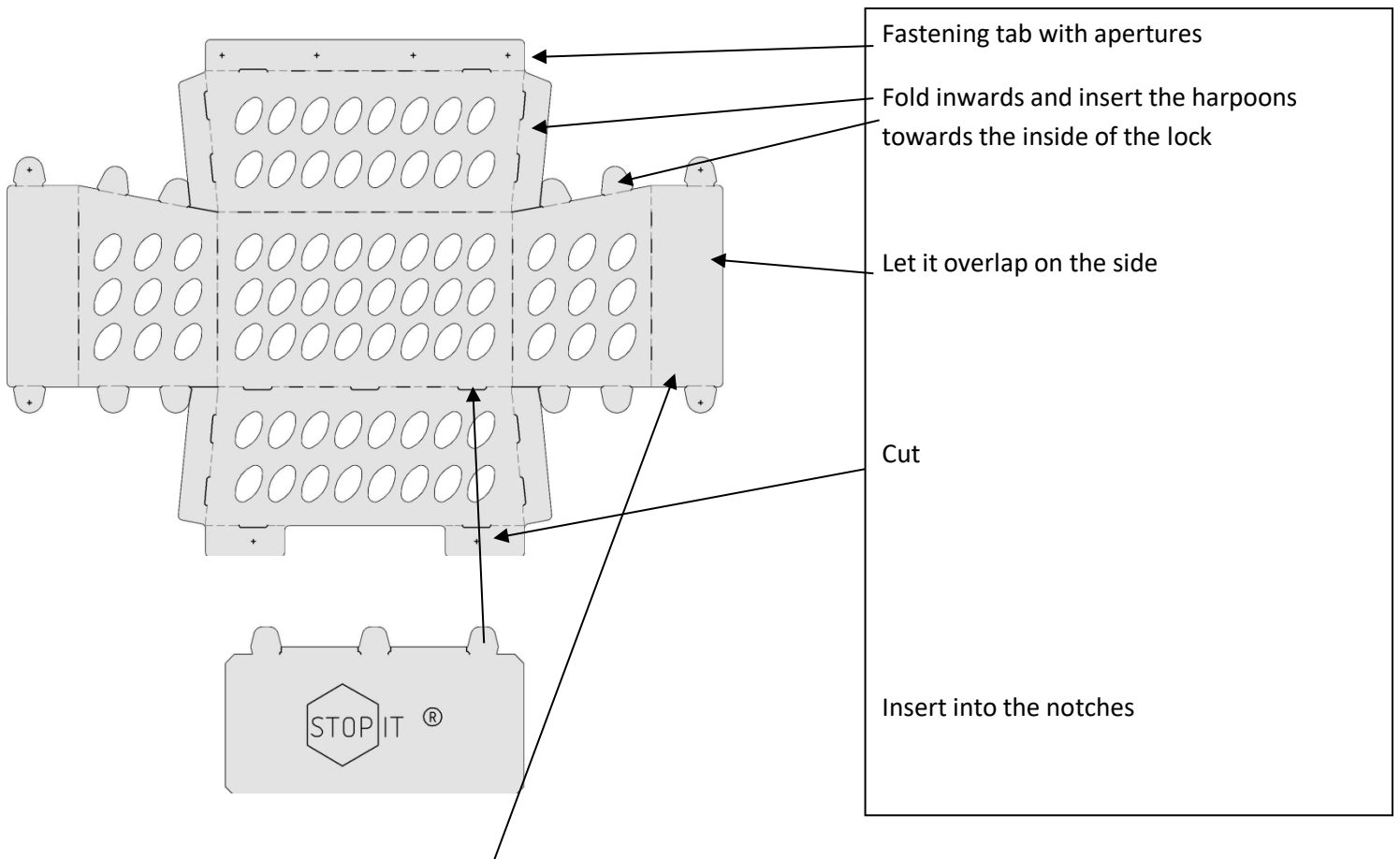


SET UP INSTRUCTIONS

Dadant , Langstroth or National Beehive

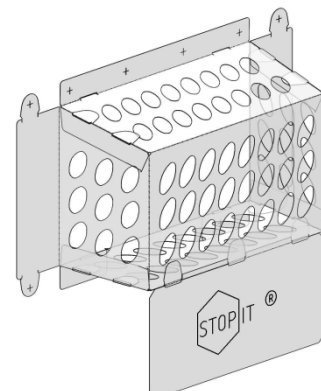


The smooth side is on the outside and the rough side is on the inside



Measure the hive floor and cut out according to the size you have so that the floor of the lock rests on the alighting board

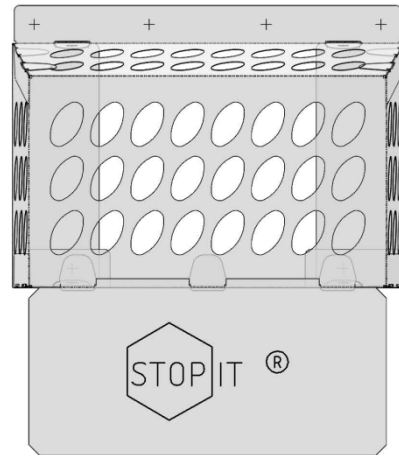
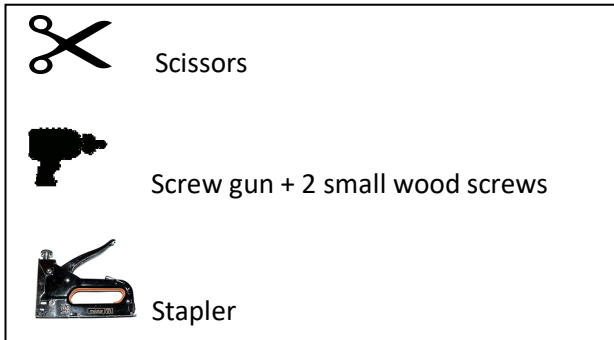
Fasten onto the hive by stapling or screwing on by using the apertures



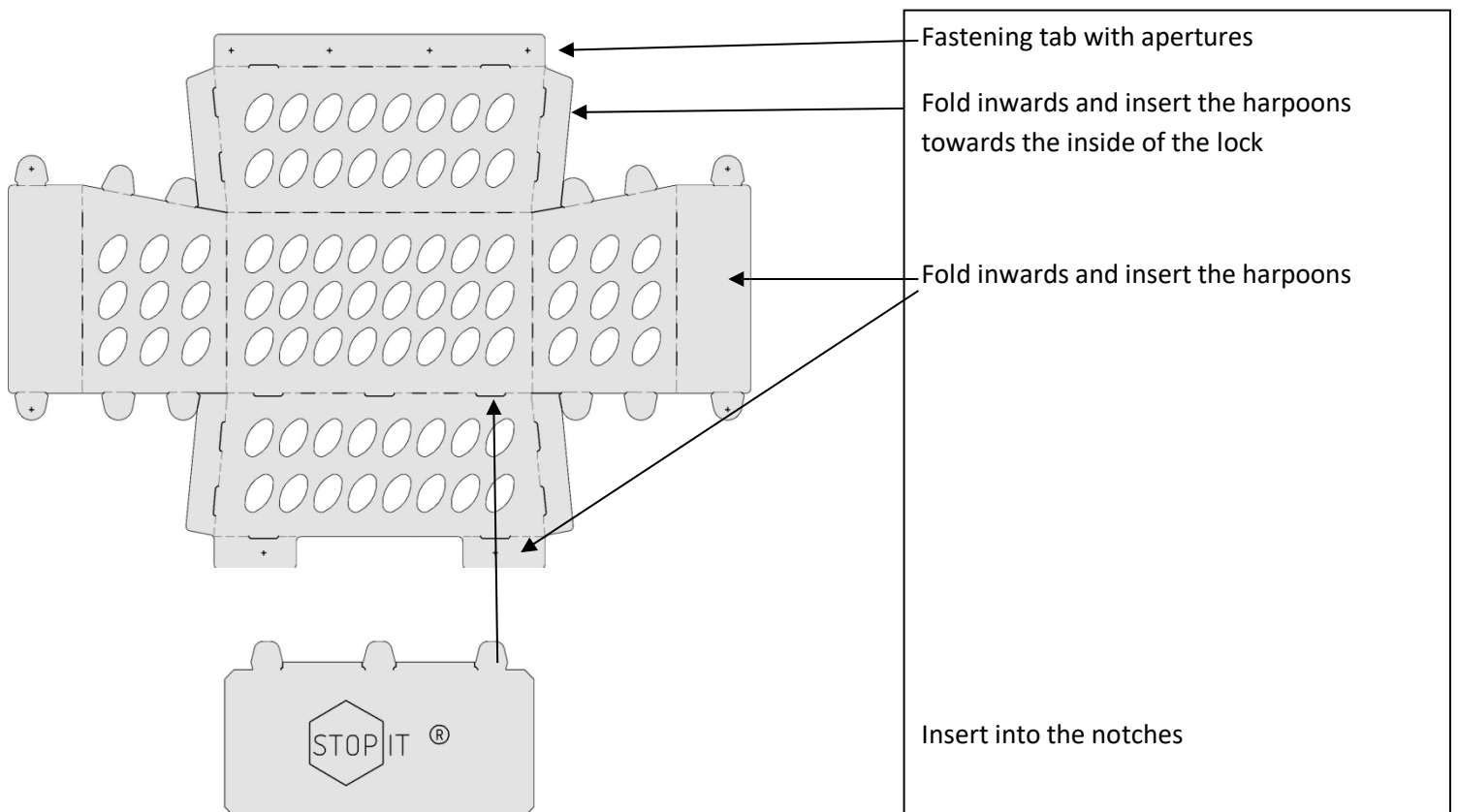


SET UP INSTRUCTIONS

Warré or Nucleus hive



The smooth side is on the outside and the rough side is on the inside



Fasten onto the hive by stapling or screwing on by using the apertures

